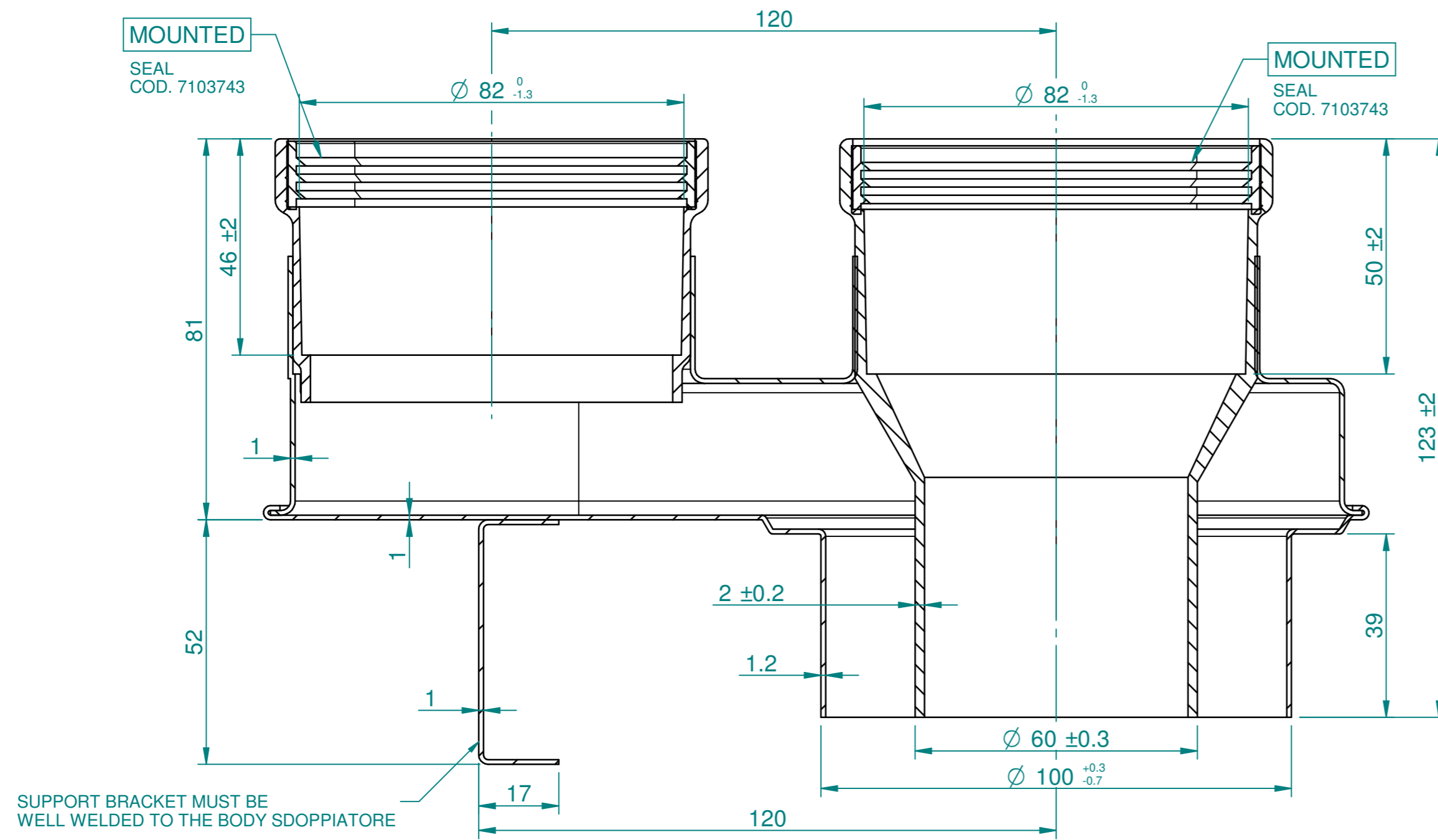
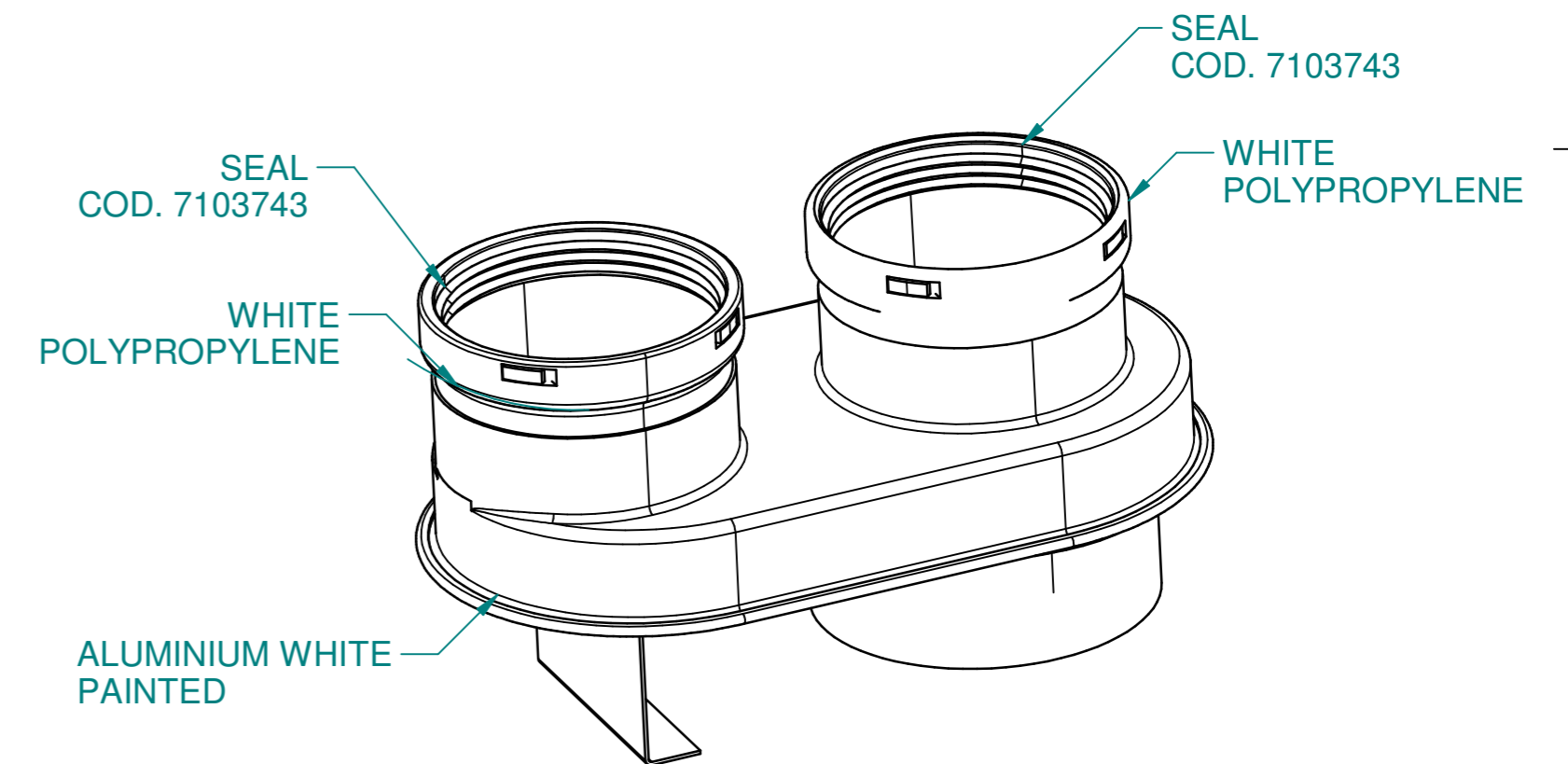
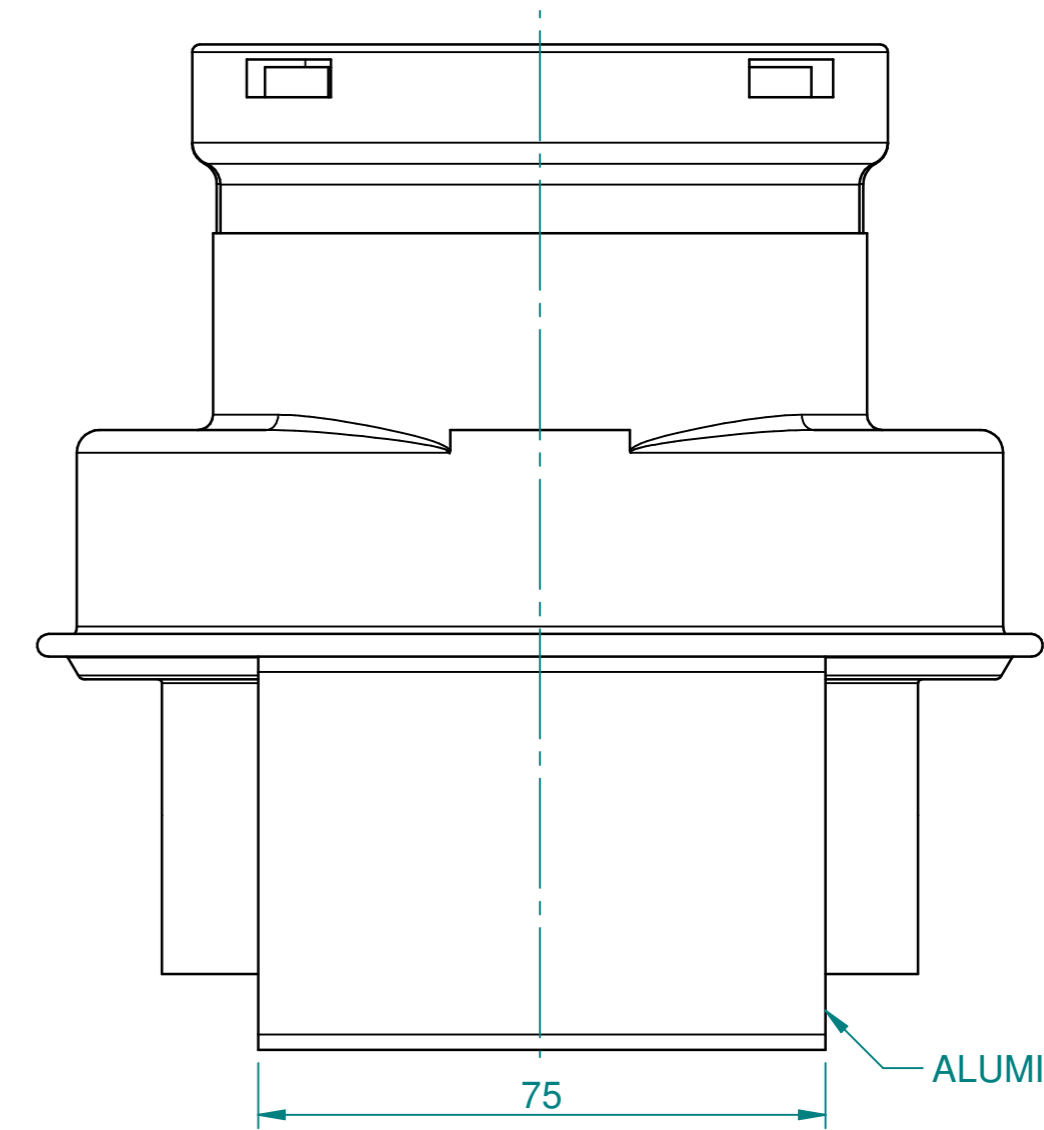
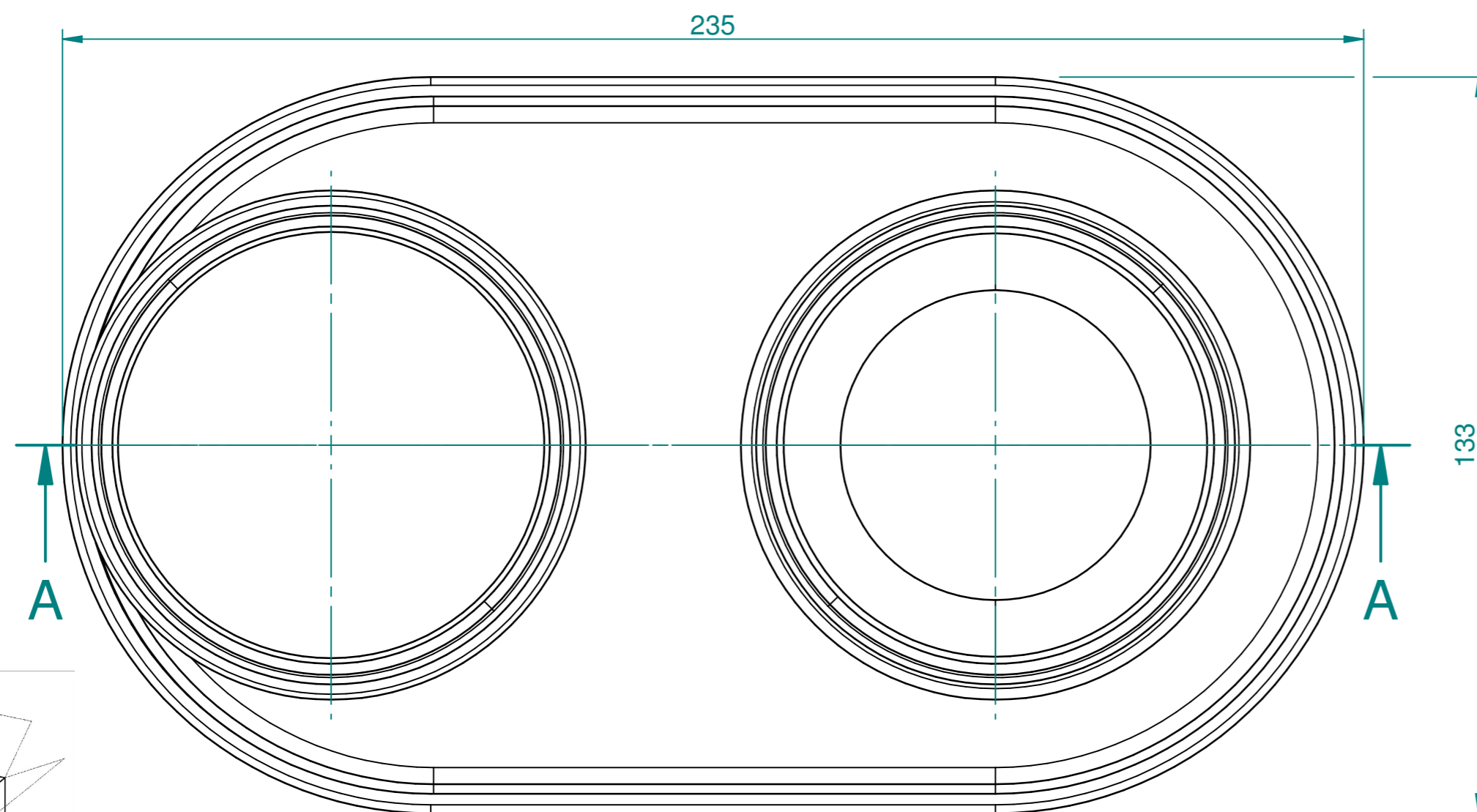


ALL COMPONENTS MUST COMPLY WITH THE EUROPEAN DIRECTIVE ON THE RESTRICTION OF THE USE OF CERTAIN HAZARDOUS SUBSTANCES (RoHS).
CHECK REVISION AND STATUS BEFORE USE.

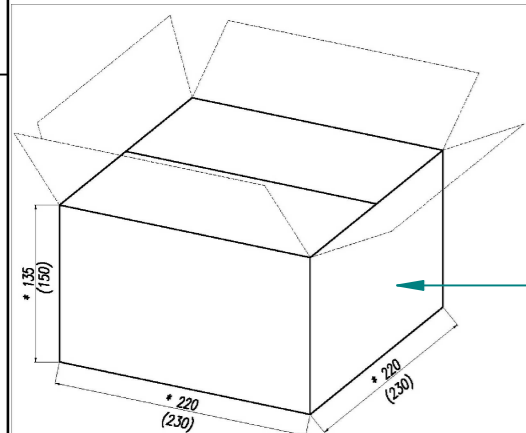


SECTION A-A



NOTE

Twin flue adaptor must be supplied with seals 7103743 already mounted
All must be packed using carbon box code 7103742
closed packaging label code 7103739



CARTON BOX
COD. 7103742
(SUPPLIER COD. SCA05010)

C = CRITICAL, I = IMPORTANT

ITEM CATEGORY- (1, 2 OR 3) : 3

Old reference 7102689		Change Description		ECN0008397
DIMENSION TOLERANCE TO ISO 14405		QUALITY SIGNIFICANCE: [C] DENOTES A CRITICAL DIMENSION. DEVIATION FROM THE SPECIFICATION MAY COMPROMISE THE SAFETY AND/OR THE FUNCTIONALITY OF THE FINISHED PRODUCT.		Tolerance: -
A2	Sheet No.: 1 of 1	First Angle Projection	Material specification: -	
Units: mm	Scale: 1:1	Creator: Mewal, Pawan		Date of Issue: 20-Nov-2019
BDR THERMEA GROUP		Title: TWIN FLUE ADAPTOR		Revision: 01
Release Status: Production		Work In Progress When Blank	Item Number: 7744523	
THE REPRODUCTION, DISTRIBUTION AND UTILIZATION OF THIS DOCUMENT AS WELL AS THE COMMUNICATION OF ITS CONTENTS TO OTHERS WITHOUT EXPRESS AUTHORIZATION IS PROHIBITED. OFFENDERS WILL BE HELD LIABLE FOR THE PAYMENT OF DAMAGE. ALL RIGHTS RESERVED IN THE EVENT OF THE GRANT OF A PATENT, UTILITY MODEL OR DESIGN.				